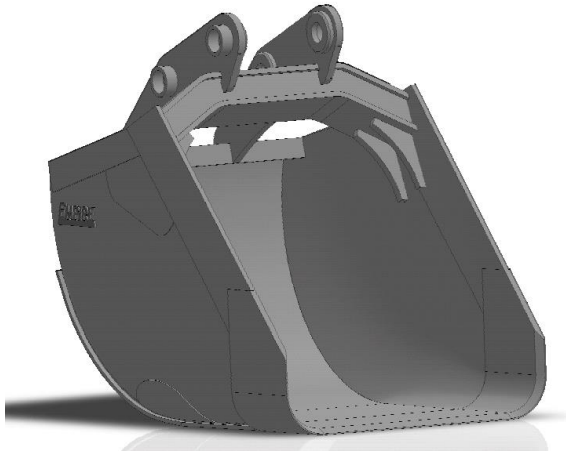




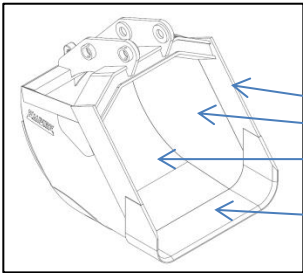
FBRC

Flat Bottom Round Corner Bucket



Empire's High Capacity FBRC bucket is our most popular design! This bucket can be used for top loading materials and general excavation work. The Hardox main blade has a beveled leading edge to easily slice through soils. The relatively larger capacity of Empire's Sand Buckets allows you to move more soil per cycle without impacting cycle time or overloading your machine.

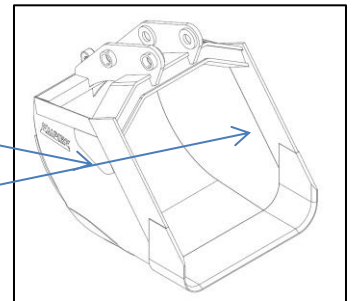
Empire uses Hardox 400/450 Wear Plate in all wear areas



EBI's standard bucket material choice is Hardox 450 Wear Plate because Hardox wears 2-3 times longer than T-1. Knowledge of over 20 years building Hardox buckets has proven our thinner plate design wears longer and allows us to give you the higher capacity buckets you've come to expect from Empire. This means longer wear life and fewer repairs during the life of your Empire FBRC bucket.

Design features:

- Hardox Main Blade or cutting edge has no teeth – no need to replace expensive GET parts!
- The radius design on the FBRC allows for better release of materials.
- Side Wear plates extend life of bucket sides.
- Bottom wear skids add rigidity to the bottom of the bucket shell, adding extra wear life without adding extra drag!
- Optional wear squares can be added to improve service life even in the most abrasive soil conditions.

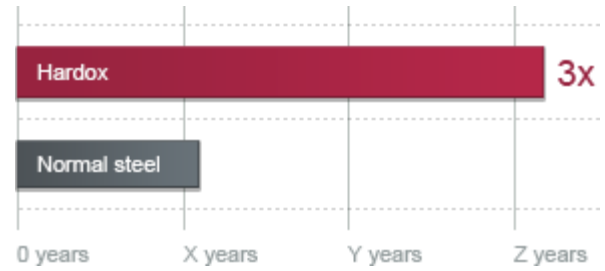


HARDOX®
WEAR PLATE

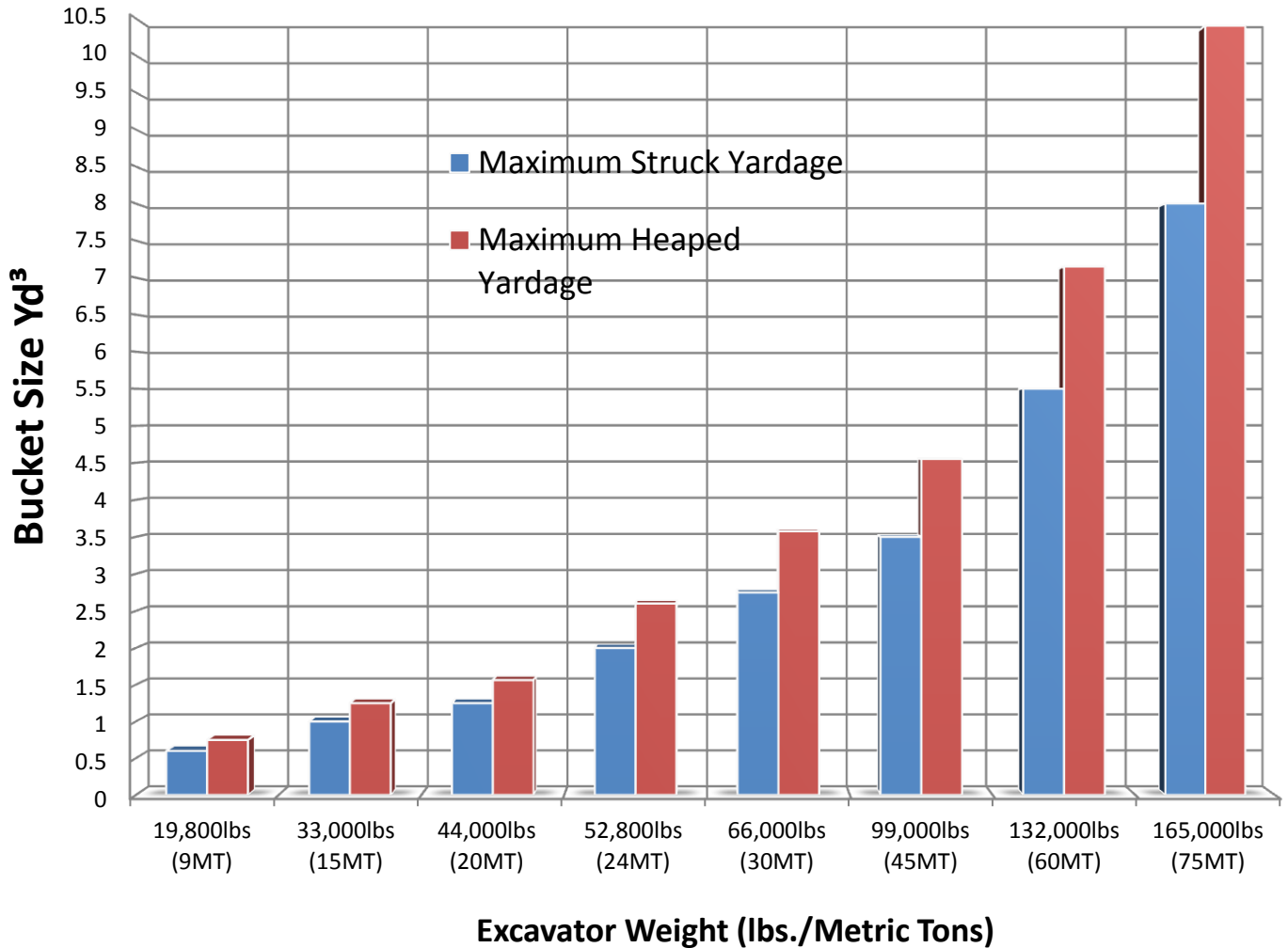


Structures made of Hardox last longer and weigh less, allowing for increased payload. That is why the sign "Hardox In My Body" represents intelligence, performance and economy. Hardox wear steel has unique properties for excavator buckets. Hardox combines extreme hardness and toughness with excellent welding and machining properties. The bucket will last longer, it will keep its original shape and the wear parts will be easy to change.

Empire makes a full line of Sand Buckets for most Excavators. Our High Capacity Sand Bucket shells are made with Hardox Wear Plate to provide you with superior wear and extended bucket life. This high strength steel allows for a lighter, more durable bucket, giving you a higher capacity bucket compared to typical OEM digging buckets.



FBRC Bucket Selection Chart



Contact your dealer or Empire Bucket to determine the maximum capacity for your excavator (must consider excavator size, bucket weight and capacity, material weight, other optional equipment on your machine such as couplers, thumbs, etc.) Larger capacity buckets may be possible when working in light materials, for flat or level applications or mass excavation applications where material being loaded only. Smaller capacity buckets are recommended for more adverse working conditions.