



GRAPPLES



Empire Bucket's Grapples are built to handle the ever increasing demands of demolition and recycling - heavy duty designs give you a high amount of tooth overlap to compress your load, leaving behind dirt and small rocks.

Get the most productivity and return on your investment both in equipment and manpower. Empire Grapples are made from T-1 and Hardox alloys, providing you with a durable, extended wear life.

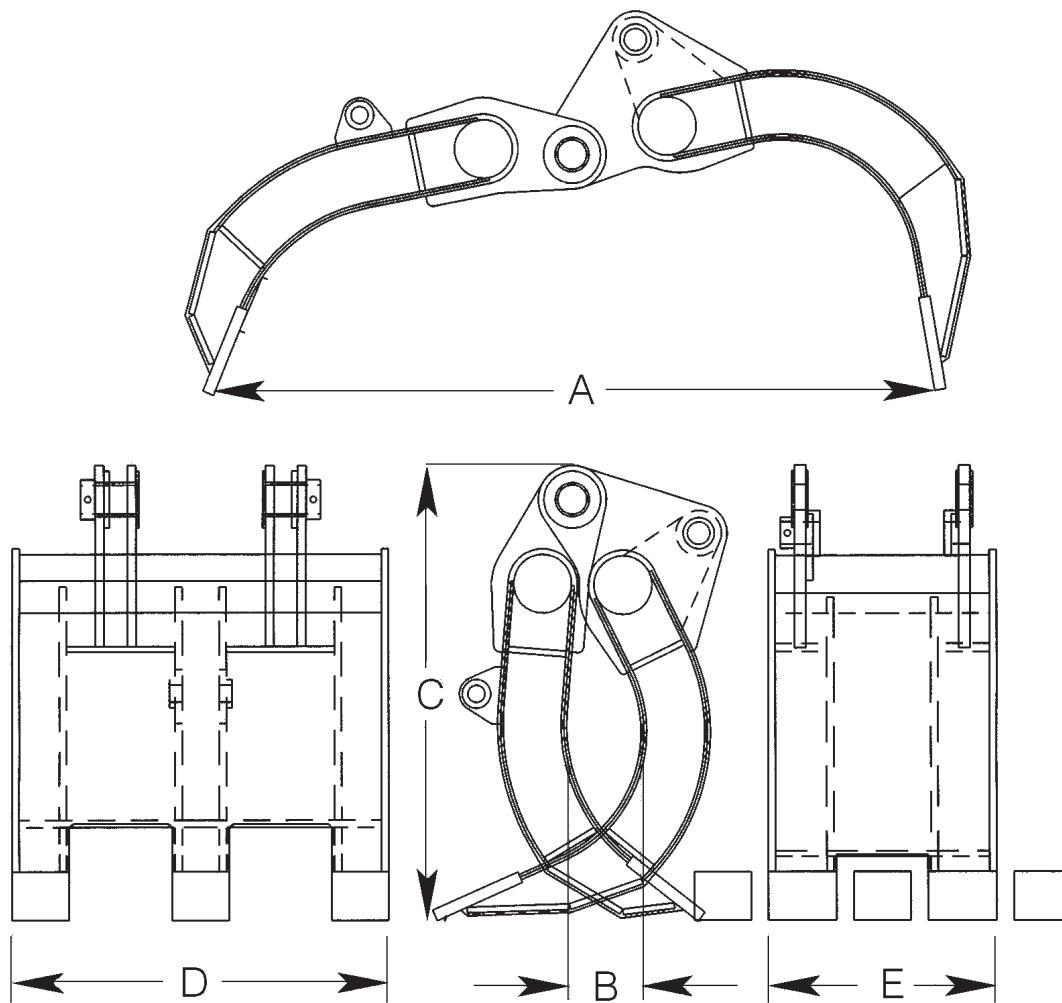
Custom Grapples

Empire can custom design and build a Grapple to fit your specific needs - with 40 years of experience building attachments for the construction industry, you can be confident that your needs can be met!

All Empire Bucket attachments meet or exceed industry standards in design, quality workmanship and materials, giving you the best value for your money!



SPECIFICATIONS ON BACK



Excavator Weight Class	Typical Weight	Number of Tines	Open Span A	Closed Gap B	Overall Length C	Overall Width 3 Tine Side D	Width 2 Tine Side E
14,000 - 21,000#	1200#	3 / 2	64"	8"	43"	33"	25.5"
21,001 - 28,000#	1780#	3 / 2	84"	8.5"	52"	35.5"	27.5"
28,001 - 36,000#	2850#	3 / 2	98"	9"	63"	52"	30"
36,001 - 48,000#	4000#	3 / 2	118"	10"	75"	54"	30"
48,001 - 60,000#	5600#	3 / 2	120"	11"	77"	54"	32"
60,001 - 75,000#	6500#	3 / 2	120"	11"	78"	54"	32"
75,001 - 90,000#	8500#	3 / 2	122"	12"	81"	60"	36"
90,001 - 125,000#	10100#	3 / 2	126"	13"	83"	66"	40"

- ALL T1 AND HARDOX ALLOY CONSTRUCTION
- DOUBLE WEAR PLATES IN HIGH WEAR AREAS
- REPLACEABLE BUSHINGS IN HINGE JOINTS
- BOXED RIB DESIGN FOR SUPERIOR STRENGTH AND SERVICE LIFE